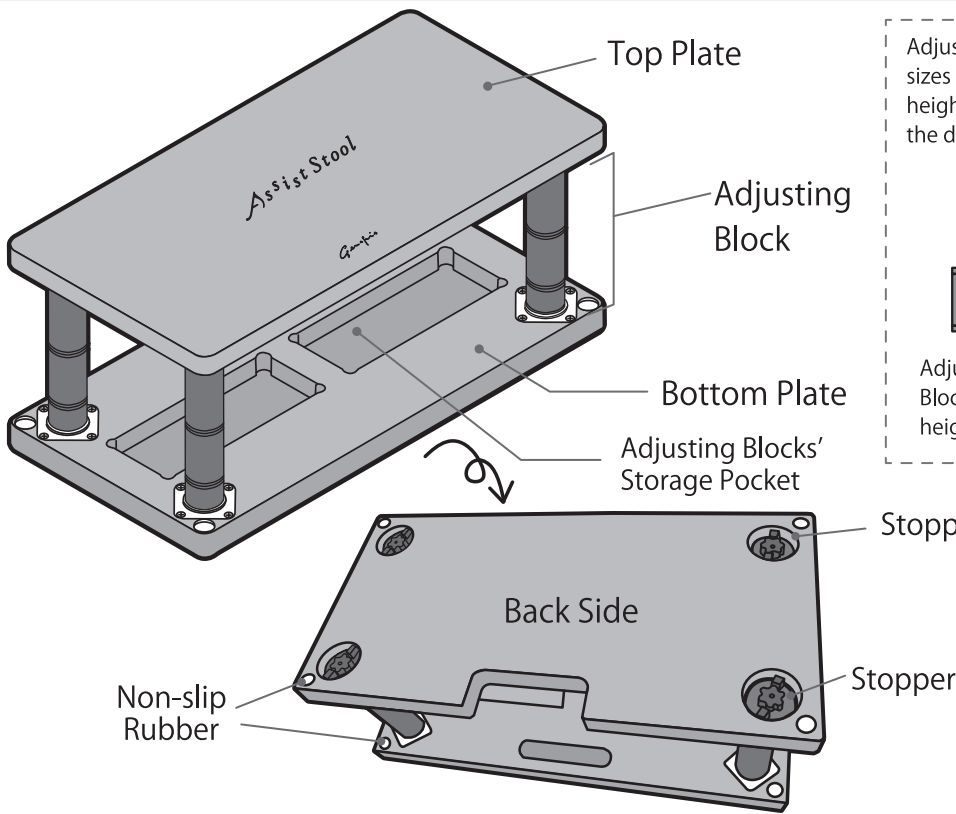


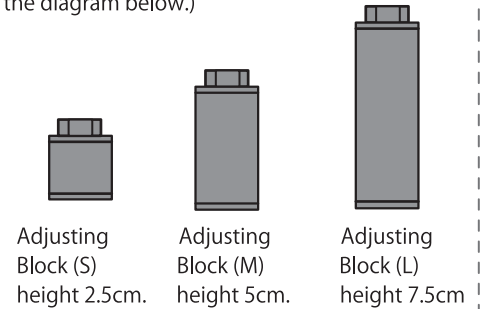
USER'S MANUAL

In order to correctly use this product please read this user's manual carefully and keep it in a safe place for future reference.

Assist Stool (23-ASS)



Adjusting Blocks are available in three different sizes and they can be combined to adjust the height to eight different levels. (Please refer to the diagram below.)



(Stopper details)

Fixing Screw

Handle

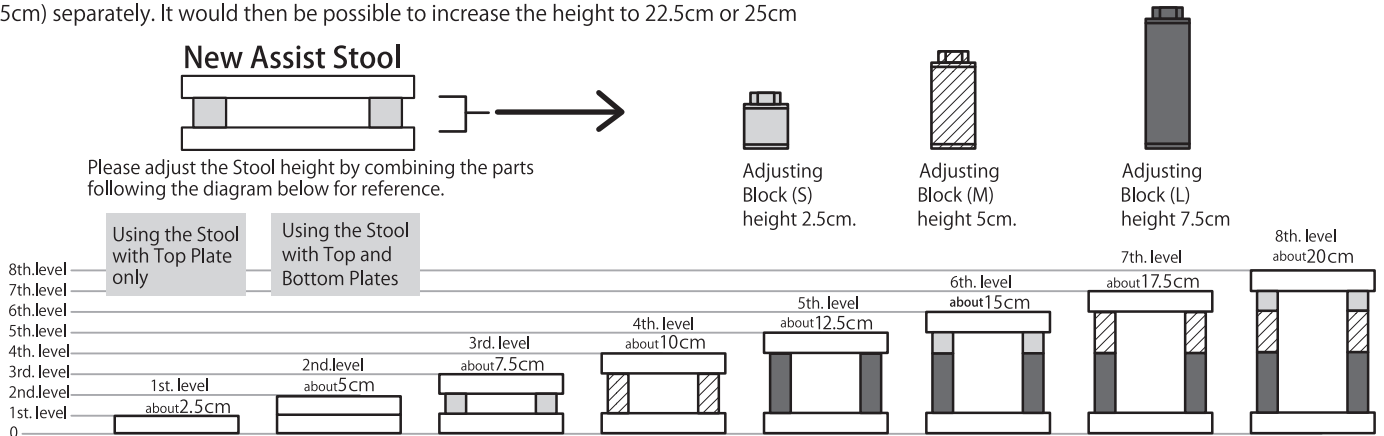


New Assist Stool Height Adjustment

The Adjusting Block is available in three different sizes and can be combined to adjust the height to eight levels from 2.5cm to 20cm. If you want to further raise the height of the Stool (higher than the 8th level - to over 20cm), you can purchase an additional Adjusting Block (M) (height: 5cm) separately. It would then be possible to increase the height to 22.5cm or 25cm

New Assist Stool

Please adjust the Stool height by combining the parts following the diagram below for reference.



● Maintenance Instruction

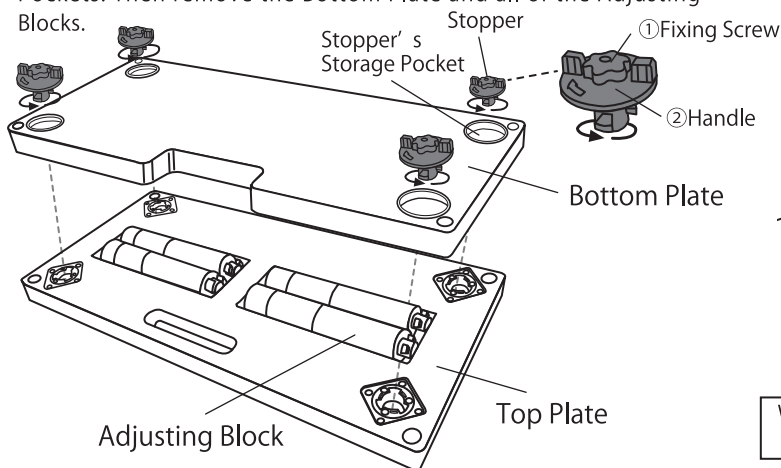
Please always keep the New Assist Stool clean with a neutral detergent. Take special care to keep the non-slip rubber pads clean. If the non-slip rubber gets dirty, it can become slippery.

● Precautions when using

- ◎ Please refrain from using the product for any purpose other than its intended use.
- ◎ Do not use the assist stool at a height of 25 cm or more.
- ◎ Be sure to fix the Top and Bottom Plates with the stoppers on the Bottom Plate when carrying the Stool after Assembling.
- ◎ Please do not stand on the Stool or use it as a step-ladder as there is a risk of falling.
- ◎ Do not expose the plastic parts to direct sunlight. They will deteriorate.

Assembly Method

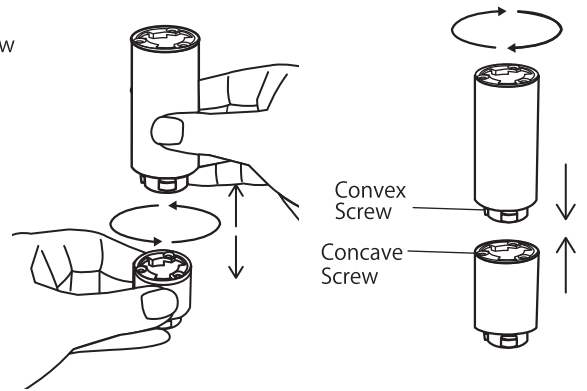
- 1** First loosen the Fixing Screws ① and the handle ② on the Bottom Plate of the Stool and remove them from the Stopper Storage Pockets. Then remove the Bottom Plate and all of the Adjusting Blocks.



⊙ When using the Stool at a height of 2.5cm, place the Top Plate, showing the side with the logo mark, facing up.

⊙ If you want to use the Stool at a height of 5 cm, go to Assembly Method step 4.

- 2** Adjust the Adjusting Blocks to the required height. (4 sets)



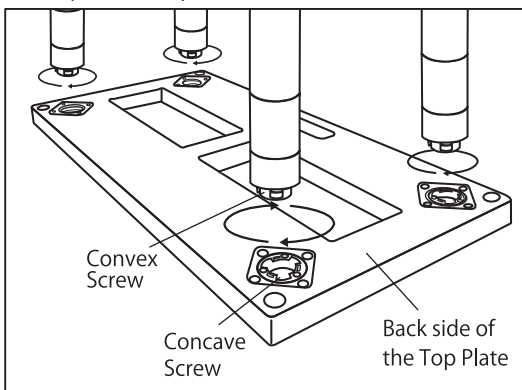
When separating the Adjusting Blocks

Hold the top and bottom of the Adjusting Blocks, loosen them by turning counter-clockwise, and separate them.

When joining the Adjusting Blocks

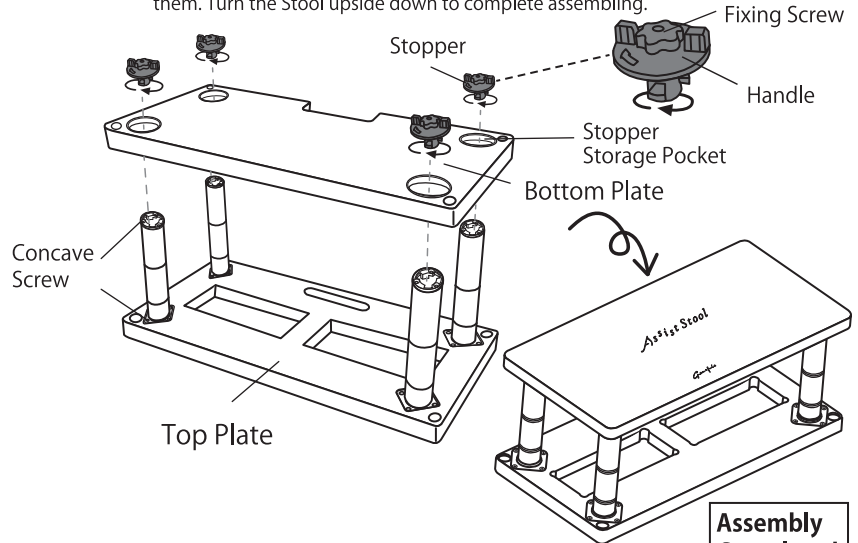
Align the Concave and Convex Screws of the Adjusting Blocks and tighten the Screws clockwise until you feel a click.

- 3** Connecting the Adjusting Blocks to the Top Plate in 4 positions.



Align the Concave Screws on the back of the Top Plate with the Convex Screws on the Adjusting Blocks, and tighten clockwise until you feel a click.

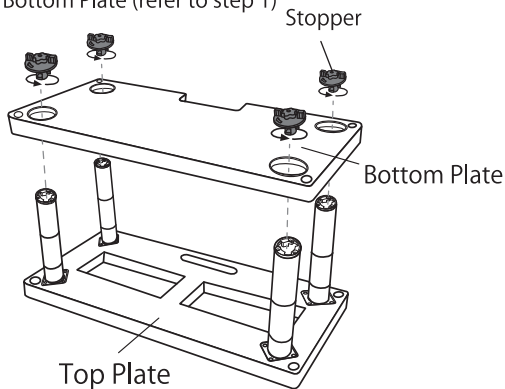
- 4** Align the Concave Screws on the Adjusting Blocks with the grooves on the Bottom Plate. (When the Adjusting Blocks are not in use, align the Concave Screws on the Top Plate with the grooves on the Bottom Plate). Insert the Stoppers into the Stopper Storage Pockets and turn the Handle about 45 degrees to lock it. Then turn the Fixing Screws about one and half turns to lock them. Turn the Stool upside down to complete assembling.



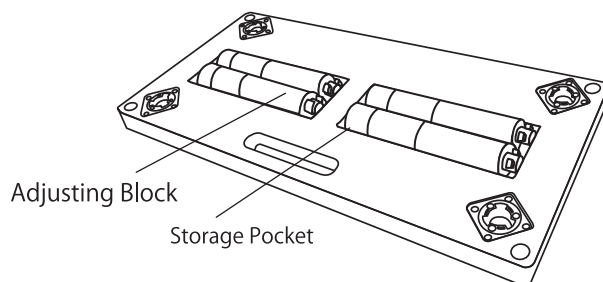
Assembly Completed

Storing Method

- 1** Remove the Stoppers and remove the Bottom Plate (refer to step 1)



- 2** Remove the Adjusting Blocks from the Top Plate (refer to the instructions for assembly methods 3 and 2) and connect the Adjusting Blocks (S), (M) and (L) (4 sets) and store them in the Storage Pockets.



- 3** Put the Stoppers in the Stopper Storage Pockets (refer to method 4 in the instructions for assembly) and tighten the Handles and the Fixing Screws to fix the Plates. (Please make sure that the 4 positions are properly fixed before carrying the Stool around.)

